

**Appln No. 09/618,965**  
**Amdt date February 4, 2005**  
**Reply to Notice of Allowability of January 6, 2005**

**Amendments to the Drawings:**

The attached sheet of drawings includes changes to Fig. 5A. The attached 10 sheets of formal drawings, which includes the changes to Fig. 5A, replaces the original informal drawings as filed.

Attachment:            Replacement Sheet  
                             Annotated Sheet Showing Changes

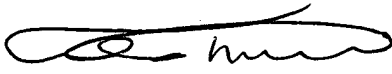
Appln No. 09/618,965  
Amdt date February 4, 2005  
Reply to Notice of Allowability of January 6, 2005

**REMARKS/ARGUMENTS**

Applicant submits this Amendment, pursuant to 37 CFR §§ 1.312, to correct missing reference numerals in one of the originally submitted drawings. FIG. 5A has been amended to include reference numerals 505, 510, 520, 525, 530, 540, and 550 which were inadvertently omitted from the drawings as originally filed. No new matter has been added. The support for these reference numerals can be found in the application on pages 15-16.

For convenience, a redlined drawing sheet of FIG. 5A, indicating the changes, is also enclosed. Applicants request that the drawings be approved and this amendment be entered prior to issuance of the patent.

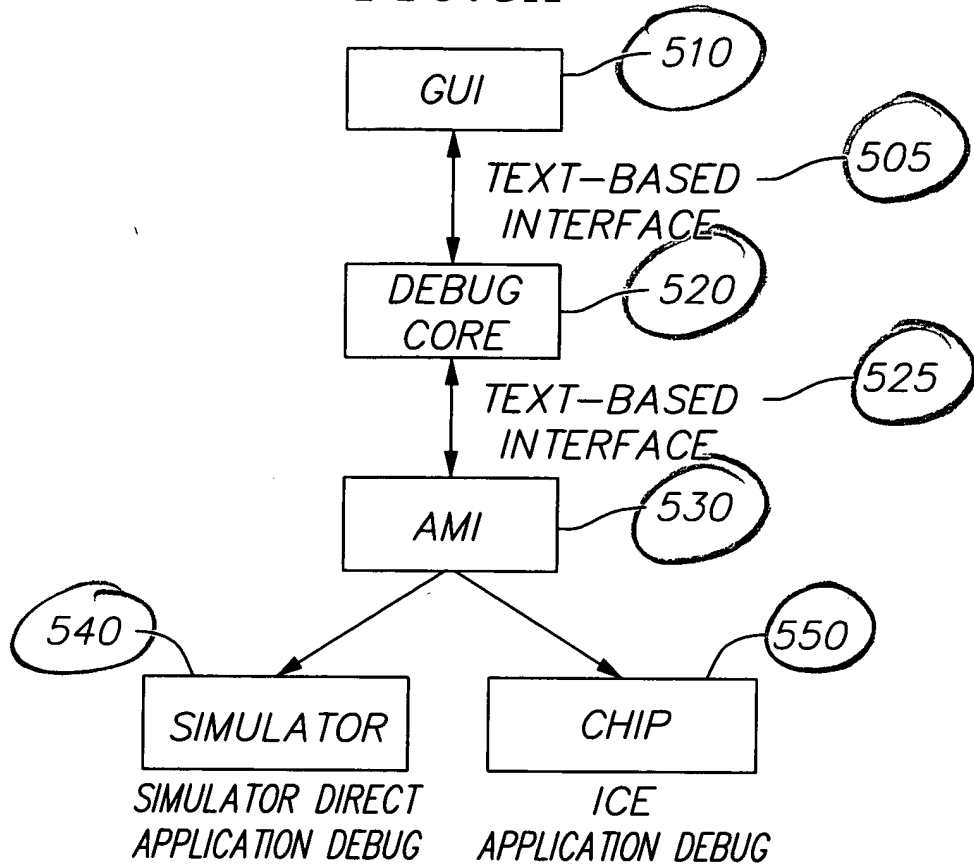
Respectfully submitted,  
CHRISTIE, PARKER & HALE, LLP

By   
Raymond R. Tabandeh  
Reg. No. 43,945  
626/795-9900

RRT/clv  
CLV PAS606771.1-\*02/3/05 5:57 PM



**FIG. 5A**



**FIG. 5B**

